

BASE FURNITURE

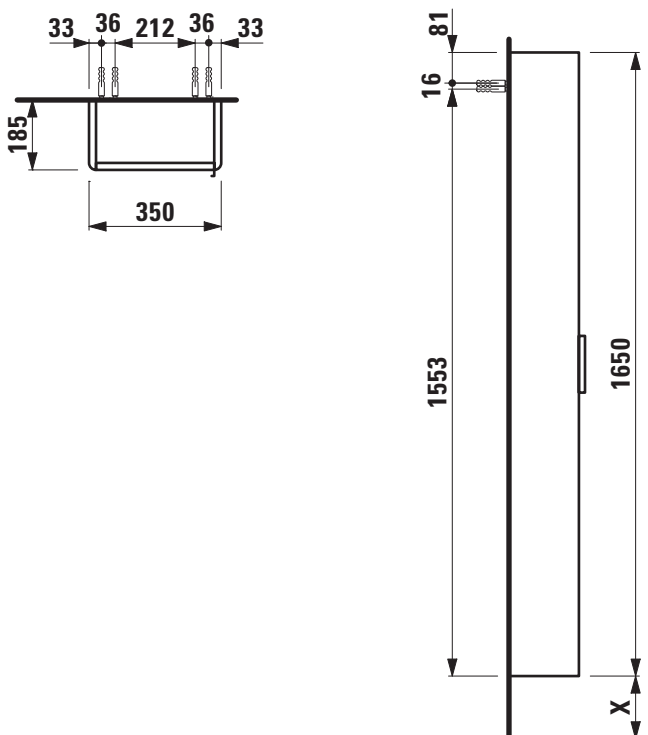
Tall cabinet 40264.1



TECHNICAL DATA

Order no.	40264.1 / door hinge left	Accessories excl.	Feet (2 pieces), aluminium, height X / order no. for combination with vanity units
Dimensions (WxHxD)	350 x 1650 x 185 mm		Base for Laufen Pro S: 283 mm / 40299.1, 293 mm / 40299.2
Specification	White matt: Body MDF with PVC foil (post-forming) Front MDF with PVC foil and ABS edges		Base for Val: 263 mm / 40299.0
	White glossy: Body MDF with PET foil (post-forming) Front MDF with PET foil and ABS edges	Mounting acc. incl.	Installation set for furniture, order no. 49302.1
	Elm light/dark: Body particle board with CPL foil Front melamine coated particle board with ABS edges	Mounting information	The walls installed on must meet the requirements of the furniture in terms of weight and the supplied fastening elements. If this cannot be guaranteed another method of installation needs to be chosen. For example with feet.
	anodized aluminium handle bar 1 door (soft-close mechanism) 1 fixed shelf, 4 glass shelves (adjustable)	Colours	260 – White matt 261 – White glossy 262 – Light elm 263 – Dark brown elm 999 – 39 other lacquered colours on request
Weight	22,5 kg		

TECHNICAL DRAWINGS / S 1 : 20



X = The exact height must be set during installation.

BASE FURNITURE

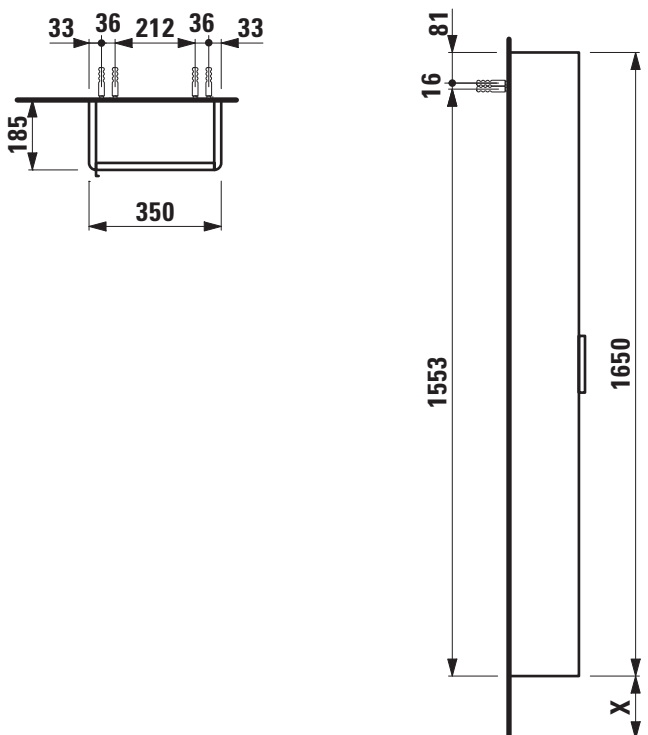
Tall cabinet 40264.2



TECHNICAL DATA

Order no.	40264.2 / door hinge right	Accessories excl.	Feet (2 pieces), aluminium, height X / order no. for combination with vanity units
Dimensions (WxHxD)	350 x 1650 x 185 mm		Base for Laufen Pro S: 283 mm / 40299.1, 293 mm / 40299.2
Specification	White matt: Body MDF with PVC foil (post-forming) Front MDF with PVC foil and ABS edges		Base for Val: 263 mm / 40299.0
	White glossy: Body MDF with PET foil (post-forming) Front MDF with PET foil and ABS edges	Mounting acc. incl.	Installation set for furniture, order no. 49302.1
	Elm light/dark: Body particle board with CPL foil Front melamine coated particle board with ABS edges	Mounting information	The walls installed on must meet the requirements of the furniture in terms of weight and the supplied fastening elements. If this cannot be guaranteed another method of installation needs to be chosen. For example with feet.
	anodized aluminium handle bar 1 door (soft-close mechanism) 1 fixed shelf, 4 glass shelves (adjustable)	Colours	260 – White matt 261 – White glossy 262 – Light elm 263 – Dark brown elm 999 – 39 other lacquered colours on request
Weight	22,5 kg		

TECHNICAL DRAWINGS / S 1 : 20



X = The exact height must be set during installation.